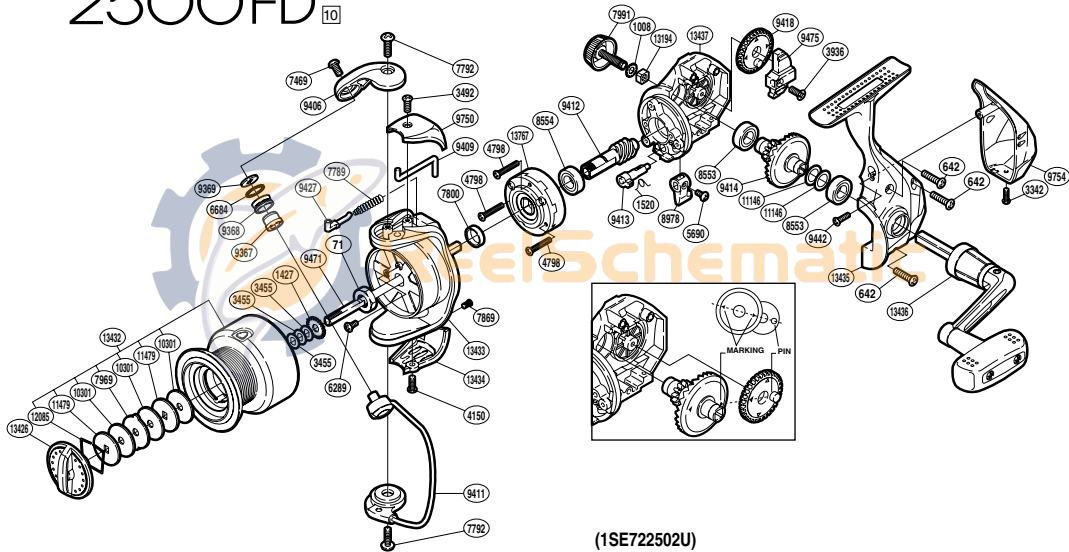


SIENNA

2500FD ¹⁰



(1SE722502U)

Please note that the number of adjusting washers may not be the same as shown in the exploded views. (Adjustment will vary with each individual product.)

RD No.	PARTS NAMES	RD No.	PARTS NAMES	RD No.	PARTS NAMES
0071	Rotor Nut	7869	Screw	9471	Main Shaft
0642	Screw	7969	Eared Washer	9475	Oscillating Slider
1008	Handle Lock Washer	7991	Handle Screw Cap	9750	Bail Spring Cover
1427	Spool Support	8553	Ball Bearing	9754	Rear Protector
1520	Anti-Reverse Cam Spring	8554	Ball Bearing	10301	Drag Washer
3342	Screw	8978	Anti-Reverse Lever	11146	Washer
3455	Spool Washer	9367	Line Roller Bushing	11479	Key Washer
3492	Screw	9368	Line Roller	12085	Drag Washers Retainer
3936	Screw	9369	Line Roller Washer	13194	Handle Screw Lock
4150	Screw	9406	Bail Arm	13426	Drag Knob
4798	Screw	9409	Bail Trip Lever	13432	Spool Assembly
5690	Screw	9411	Bail Assembly	13433	Rotor
6289	Screw	9412	Pinion Gear	13434	Bail Hold Support Guard
6684	Line Roller Spacer	9413	Anti-Reverse Cam	13435	Side Cover
7469	Screw	9414	Drive Gear	13436	Handle Assembly
7789	Bail Spring	9418	Oscillating Gear	13437	Body
7792	Screw	9427	Bail Spring Guide	13767	Roller Clutch Assembly
7800	Rotor Ring	9442	Screw		